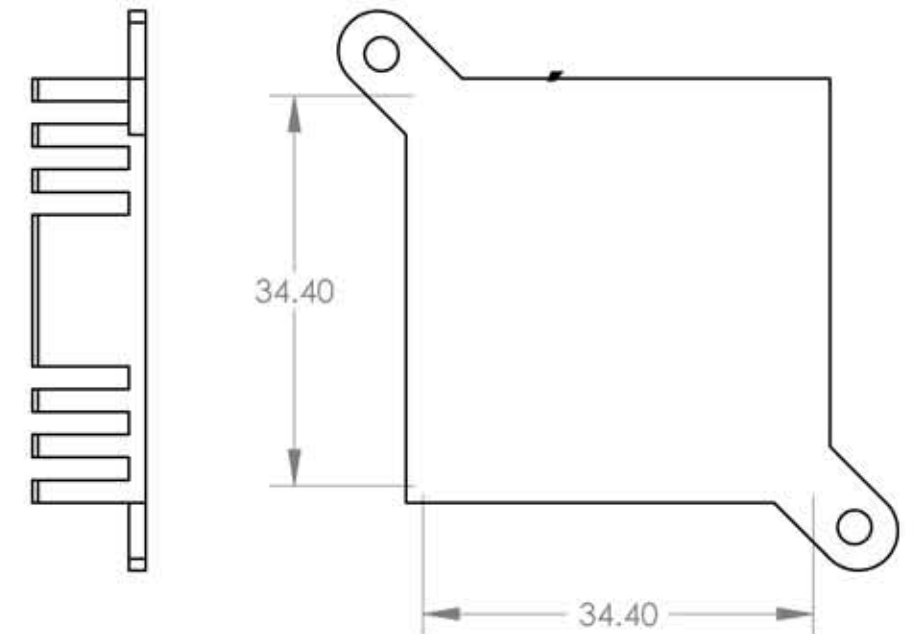
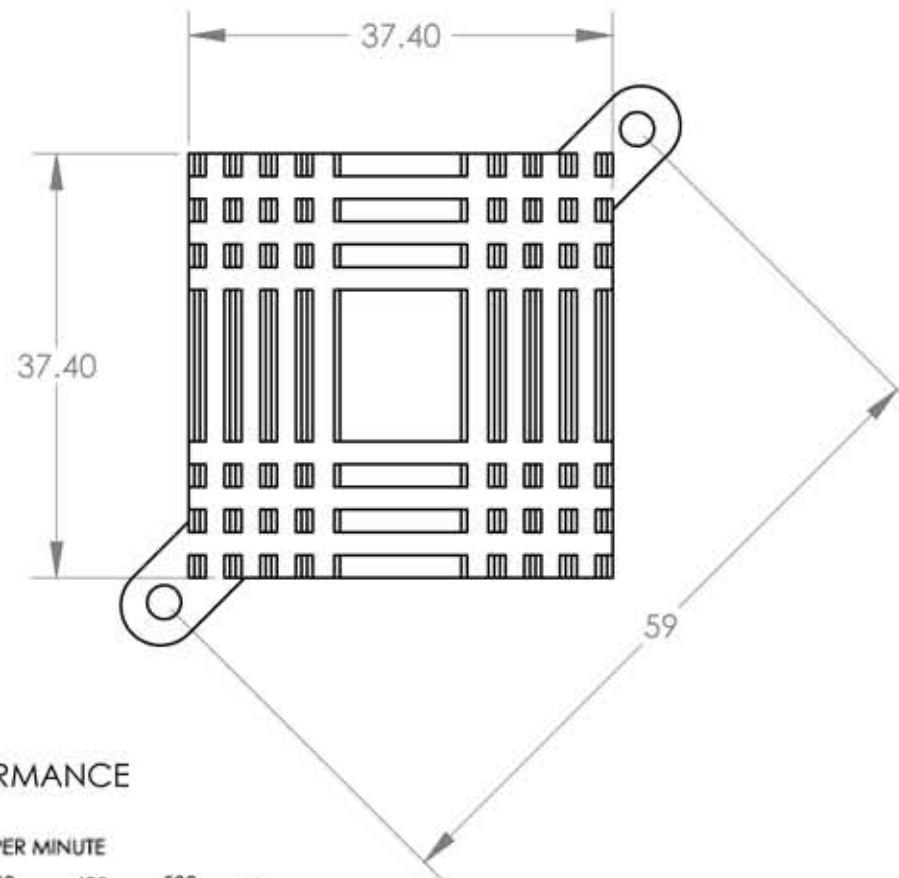
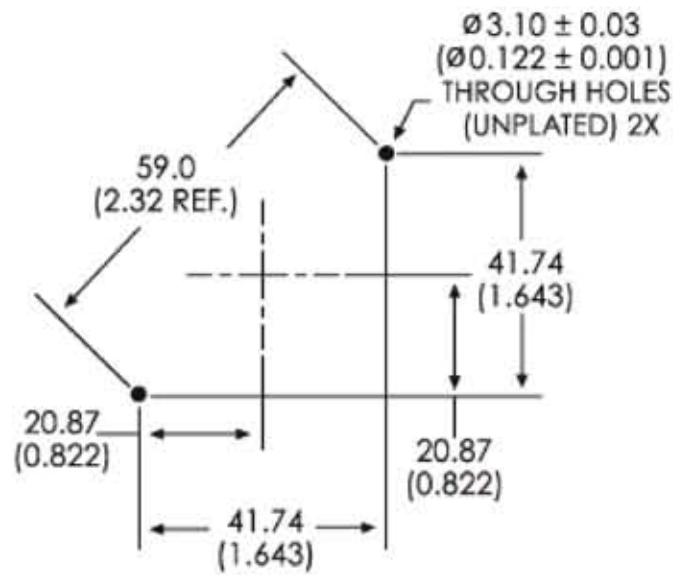


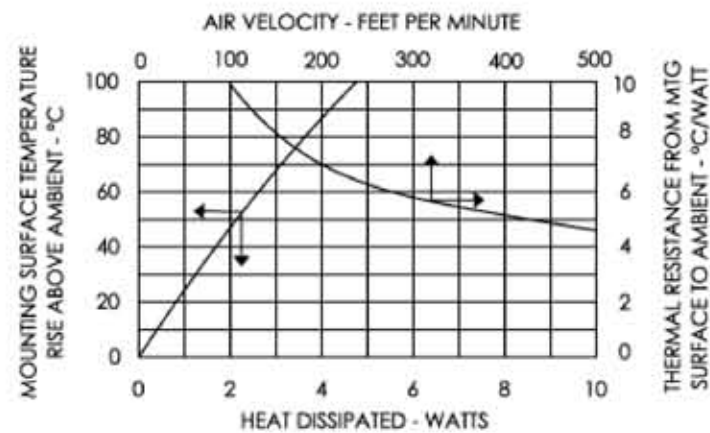
REVISION HISTORY				
REV	ECO	DESCRIPTION	DATE	APPROVED
-	-	-	-	-

RECOMMENDED PCB HOLE PATTERN



RoHS   
 Compliant

THERMAL PERFORMANCE



NOTES:

1. MATERIAL: Aluminum 6063-T5
2. FINISH: BLACK ANODIZE.
3. ALL TOLERANCES APPLY AFTER FINISHING.
4. REMOVE BURRS AND BREAK SHARP EDGES.
5. IDENTIFY PART BY BAG AND OR BOX MARKED WITH THE PART NUMBER AND REVISION. DO NOT MARK PART.

UNLESS OTHERWISE SPECIFIED DIMENSIONS ARE IN mm TOLERANCE ARE:			DO NOT SCALE THIS DRAWING	
DECIMALS	FRACTIONS	ANGLES	APPROVALS	DATE
.X ± .10		±.5°	E.T. and K.Z.	03/03/2010
.XX ± .05			E.T.	03/03/2010
REMOVE BURRS & SHARP EDGES			RESP ENG	
ALL MACHINED SURFACES			MFG ENG	
MATERIAL Aluminum 6063-T5			QUAL ENG	
FINISH Black Anodize			THE INFORMATION CONTAINED IN THIS DRAWING IS THE SOLE PROPERTY OF COOLING SOURCE CORPORATION. ANY REPRODUCTION IN PART OR WHOLE WITHOUT THE WRITTEN PERMISSION OF COOLING SOURCE CORPORATION IS PROHIBITED.	



SIZE	DWG NO.	REV
<b>B</b>	<b>CS8673710B0</b>	<b>A</b>
SCALE: 3: 2		SHEET: 1 OF 1