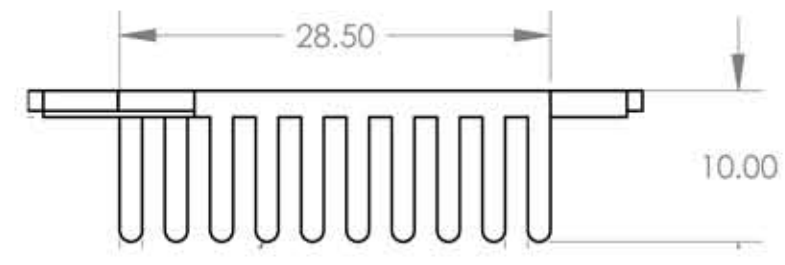
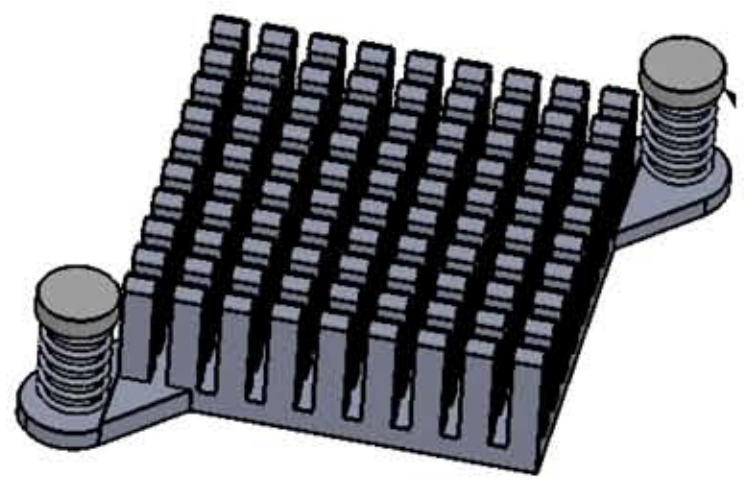
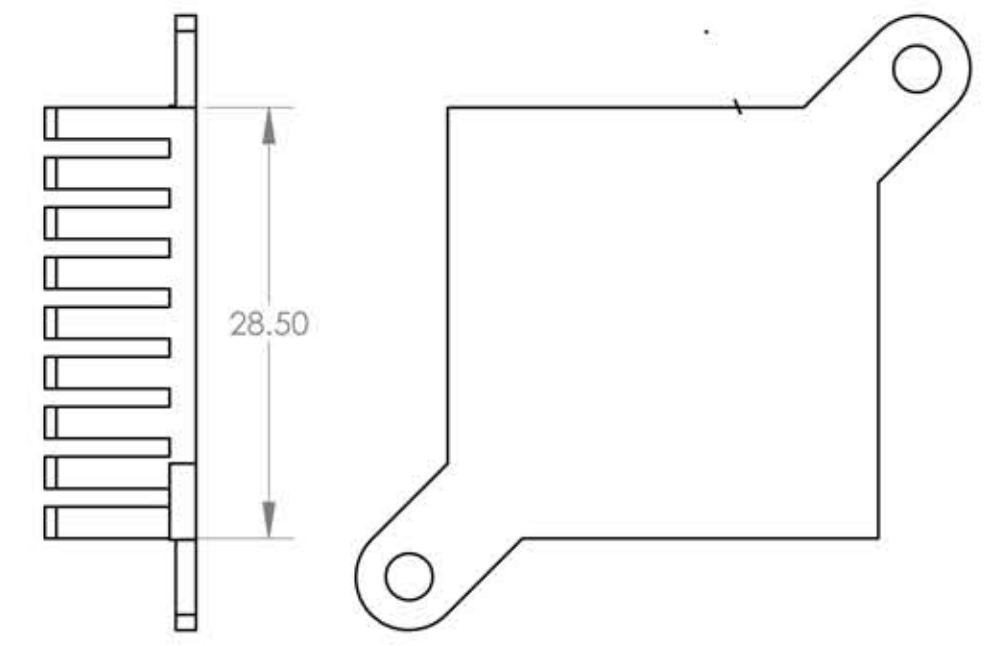
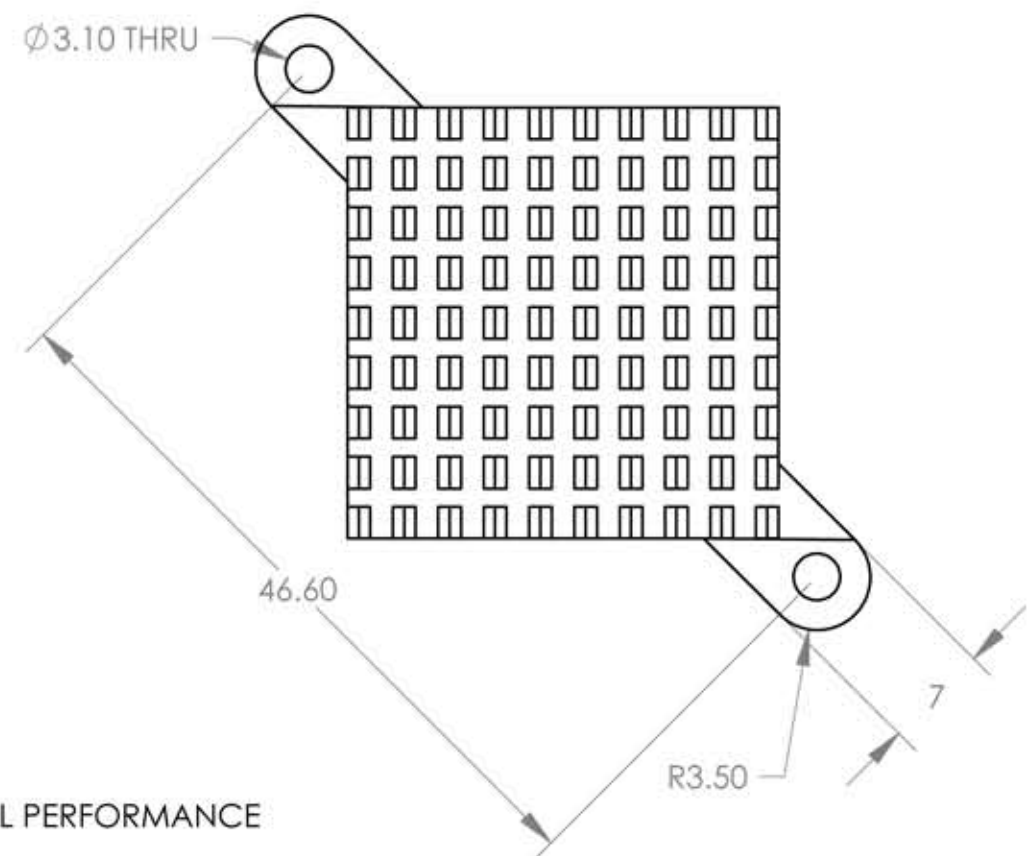
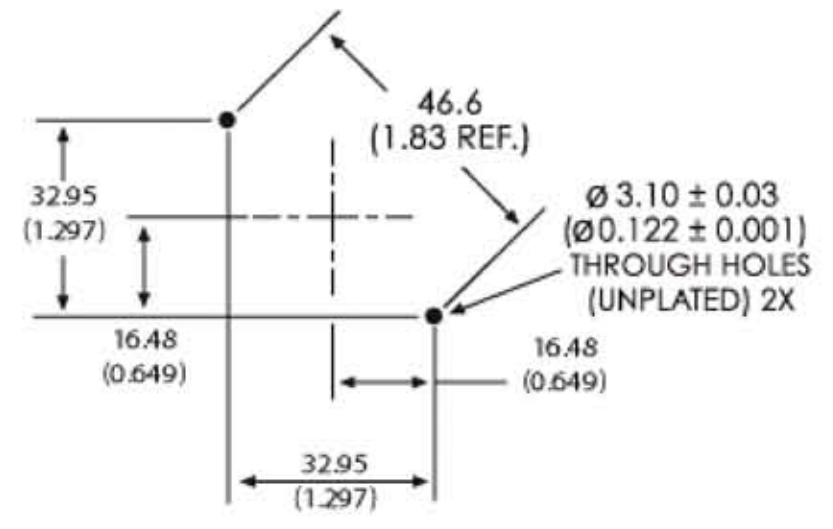


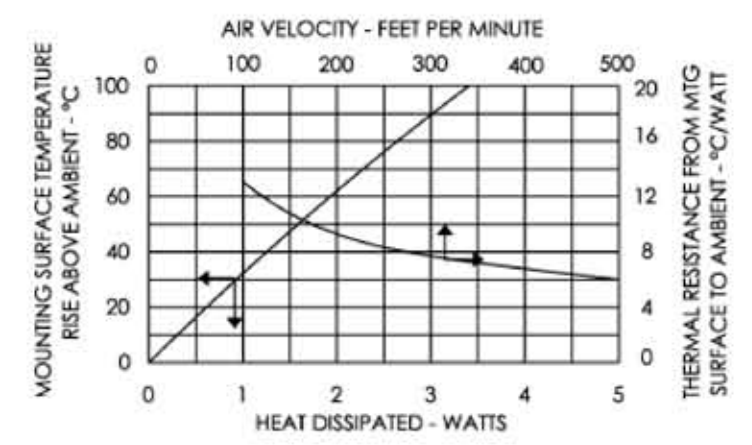
| REVISION HISTORY |     |             |      |          |
|------------------|-----|-------------|------|----------|
| REV              | ECO | DESCRIPTION | DATE | APPROVED |
| -                | -   | -           | -    | -        |



RECOMMENDED PCB HOLE PATTERN



THERMAL PERFORMANCE



RoHS Compliant

NOTES:

1. MATERIAL: Aluminum 6063-T5
2. FINISH: BLACK ANODIZE.
3. ALL TOLERANCES APPLY AFTER FINISHING.
4. REMOVE BURRS AND BREAK SHARP EDGES.
5. IDENTIFY PART BY BAG AND OR BOX MARKED WITH THE PART NUMBER AND REVISION. DO NOT MARK PART.

|   |                           |            |
|---|---------------------------|------------|
| UNLESS OTHERWISE SPECIFIED DIMENSIONS ARE IN mm TOLERANCE ARE:<br>DECIMALS .X ± .10<br>.XX ± .05<br>FRACTIONS<br>ANGLES ±.5°  | DO NOT SCALE THIS DRAWING |            |
|   | APPROVALS                 | DATE       |
| REMOVE BURRS & SHARP EDGES  | DRAWN: E.T                | 03/03/2010 |
| ALL MACHINED SURFACES 32  | CHECKED: E.T              | 03/03/2010 |
| MATERIAL: Aluminum 6063-T5  | RESP ENG:                 |            |
| FINISH: Black Anodize   | MFG ENG:                  |            |
|   | QUAL ENG:                 |            |
| THE INFORMATION CONTAINED IN THIS DRAWING IS THE SOLE PROPERTY OF COOLING SOURCE CORPORATION. ANY REPRODUCTION IN PART OR WHOLE WITHOUT THE WRITTEN PERMISSION OF COOLING SOURCE CORPORATION IS PROHIBITED. |                           |            |



|                |                             |               |
|----------------|-----------------------------|---------------|
| SIZE: <b>B</b> | DWG NO.: <b>CS8672810B0</b> | REV: <b>B</b> |
| SCALE: 3: 2    |                             | SHEET: 1 OF 1 |